
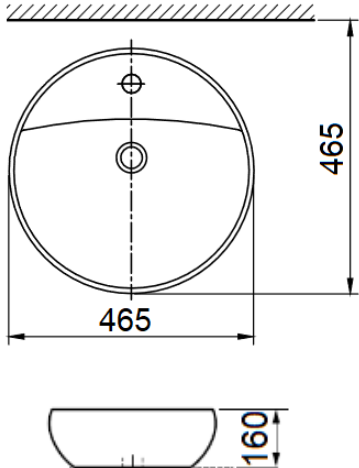




PROJECT		REF		REV	ITEM CODE	
LOCATION		DATE			PAGE	

## SANITARY WARE SPECIFICATION SHEET

<b>Item Descriptions</b>	EMCA (PRC) "Miniso" Vitreous china above counter wash basin (Single Hole)	<b>Illustration/ Drawing</b>
Dimensions	L465 x W465 x H160 mm	  
Model	EM0528.207	
Colour	White	
Material	Vitreous China	
Manufacturer	EMCA (PRC)	
Source	Acme Sanitary Ware Co. Ltd Mr. Eric Wong/ Mr. Don Yuen	
Contact Tel/Fax	(852) 2388-7171 / (852) 2710-8012	
E-mail	acme@acmesanitary.com.hk	
Website	www.acmesanitary.com.hk	

**Note:**

*\* All information of the above is for the reference only. No prior notice is made if any changes.*